

**M12 FEMALE 0° FIELD-WIREABLE SCREW TERM.**5-pol. max.0,75mm<sup>2</sup> 6-8mm

Female straight

M12, 5-pole

Screw terminals

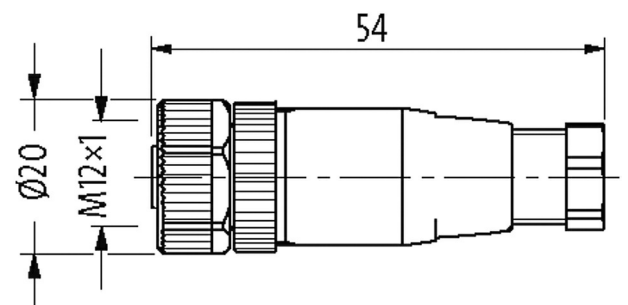
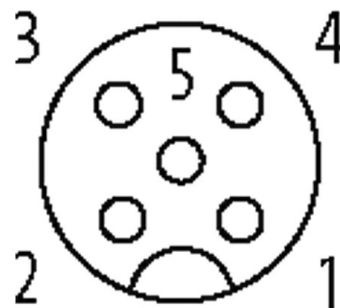
Sealing range (cable Ø): 6...8 mm

Plastic housings with good resistance against chemicals and oils.

The resistance to aggressive media should be individually tested for your application. Further details on request.

**Illustration**

Female



Product may differ from Image

**Approvals**

**Form**

Form 12961

**General data**

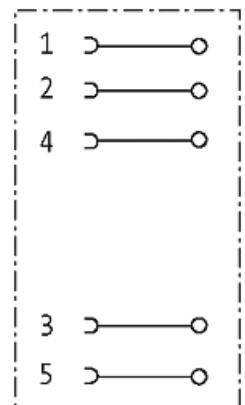
Pollution Degree	3
Dimensions H×W×D	54×20×20 mm
Material (housing)	PA
Temperature range	-40...+85 °C

**Technical Data**

Operating voltage	max. 60 V
Rated surge voltage	0.8 kV
Operating current per contact	max. 4 A; max. 3 A (UL-Recognized)
Material group	III
Connection cross section	max. 0.75 mm <sup>2</sup>
Sealing range (cable Ø)	6...8 mm
Over voltage category	II
Locking of ports	Screw thread (M12×1 mm) recommended torque 0.6 Nm, self-securing
Compression gland	M12 (SW18)
Protection	IP67 inserted and tightened (EN 60529)

**Commercial data**

country of origin	DE
customs tariff number	85366990
EAN	4048879201537
eClass	27279221
Packaging unit	1

**Sketch**

Product may differ from Image